

ITALIAN-ENGLISH DICTIONARY

abete — spruce, fir accesso —
 doorway, entrance accessori —
 fittings accetta — broad hatchet
 acciaio — steel acciarino —
 linchpin accoppiatoio —
 coupling accorciare — to
 shorten accostare — to come
 alongside accumulatore —
 storage battery acero — maple
 acido — acidity acqua — water
 adagio — easy adattare — to fit
 addestrare — to train addietro
 — aft adesivo — adhesive
 adunare — to assemble
 aeratore — aerator aereo —
 aerial aerodinamico —
 streamline aeronave —
 hovercraft aeroplano — aircraft
 aeroporto — airport affilare —
 to grind affilato — sharp
 affilatrice — grinder

abete

affinare — to streamline
 affogare — to drown
 affondamento — sinking
 affusto — mounting, gun-carriage
 a galla — afloat
 aggangiare — to hook
 agghiaccio — steering gear
 ago — needle
 agucchia — sail needle
 ala — wing
 alabasso — downhaul
 alafuori — outhaul (rope)
 alare — to haul
 alberamento — masting
 alberatura — masts and yards
 albero — mast
 alesare — to bore, to ream
 alga — seaweed
 alighiero — gaff
 alisei — tradewinds
 allacciare — to lace, to seize
 allagamento — to flood
 allargare — to expand
 allascare — to slacken
 allentare — to loosen
 allistamento — to fit out
 allineamento — alignment
 allineare — to line up
 alloggi — berthing spaces
 alluminio — aluminum

alluminio

allungamento — lengthening
 allungare — to lengthen
 almezzo — amidship
 alternatore — alternator
 altezza — elevation, height
 alto — tall
 altoparlante — speaker
 alzare — to lift, to raise
 amaca — hammock
 amantiglio — topping lift
 amianto — asbestos
 ammainare — to lower
 ammiraglio — admiral
 ancora — anchor
 anello — ring
 angolo — angle
 annegare — to drown
 annodare — to tie
 antenna — lateen yard
 antiaereo — anti-aircraft
 antimonio — antimony
 antiruggine — rust preserver
 apeno — open
 apertura — opening
 apostolo — knighthead
 apparato — outfit
 apparecchio — mechanism, device
 appendere — to hang
 appiattare — to flatten
 appoggio — support
 apprezzamento — evaluation
 approdare — to land
 approntare — to get ready
 aprire — to open
 aquila — eagle
 archetto — traveling iron
 architettura — architecture
 arganello — small capstan
 argano — capstan
 argento — silver
 argilla — clay

allungamento

arma — weapon armamento
 — armament armata —
 armada arnesi — tools
 arpone — harpoon arredare
 — to fit out arrembatori —
 boarders arridatoio —
 turnbuckle arrivare — to
 arrive at arrontondare — to
 round out arrotolare — to
 twist arruginire — to rust
 artiglieria — gunnery ascia
 — ax
 assemblaggio — assembling
 assicurare — to insure
 assottigliare — to fine off
 asta — boom, staff, rod
 attacco — attachment
 attraversare — to go through
 attrezzare — to rig
 attrezzatura — rigging
 attrezzo — rig attrito —
 friction automatico —
 automatic avanti — ahead
 avviso — warning avvitare
 — to screw avvolgere — to
 wind up avvolgimento —
 winding azione — action

B

bacchetta — rod
 bacino — basin
 baglietto — half beam, ledge
 baglio — beam
 bagnare — to wet
 bagno — bath
 balastrata — poop rail, bulwarks

balastrata

balaustri — fife rails	binocolo — binoculars
balconata — balcony	bisellare — to bevel
balena — whale	bitta — bitt
baleniera — whaling ship	bittalo — reefing bowsprit
balla — pack	bittone — bollard
balsa — balsa wood	bloccare — to block
banchina — dock, pier	boa — buoy
banco — sand bank	bobina — coil
banca — broadside	bocca — mouth
bandiera — flag	boccaporto — hatch
barca — boat	boccola — bushing
barcarizzo — gangway	bolina — bowline
barenare — to bore	bolzone — camber of beam
barile — barrel	boma — sail boom
barra — bar, jack	bombarda — bomb ketch
barre — masthead	bordatura — beading
barrotto — hatch carling	bosa — cringle
basemento — base	bosso — boxwood
bastardo — parrel rope	botte barrel
bastiere — sheer batten	bottiglia — bottle
bastimento — ship	bottone — button
bastinaggi — forecastle netting	bozza stopper
bastone — boom	bozzello — block
battaglia — battle	braca — sling
battagliola — bulwarks	braccio — arm
battello — boat	bracciolo — angle lug
battente — recess jamb	bracotto — pendant
battere — to strike	branca — bridle
batteria — electric battery	branca — hammock
bava — burr	brasatura — to braze
belvedere — mizzen topgallant sail	brezza — breeze
benzina — gasoline	brigantina — mizzen spanker
bere — to drink	brignatino — brig
bersaglio — target	brilia — bobstay
bertoccio — parrel truck	bronzo — bronze
betulla — birch	brunire — to polish
bianco — white	buco — hole
bidone — barrel	bugliolera — bucket rack
biella — connecting rod	bugliolo — bucket
bigotta — dead eye	bullone — bolt
binario — rail track	bussola — compass

balaustri

bussola

buttafuoco — linstock buttafuori
— outrigger, bumpkin

C

cabina — cabin cacciacavallo —
fid, mast fid cacciavite —
screwdriver calafatare — to
caulk calamità — magnet calare
— to lower calore — heat
cambiare — to change cambusa
— storeroom camera — room
camma — cam campana — bell
campanile — bellfry
camuffamento — camouflage
canapa — hemp candela —
candle candeliere — rail
stanchion canna — barrel
cannochiale — telescope
cannonata — gunshot cannone
— cannon cannoniera —
gunboat canoa — canoe canotto
— boat cantiere — shipyard
cantonale — bracket capezziera
— clew capione — figurehead
capitano — captain capobianco
— untarred rope capoc —
kapok capodibanda — rail,
gunwale cappa — hood cappone
— cathead carabottino —
grating Carbonara — mizzen
staysail

carbone — coal
cardine — hinge
carena — ship's bottom
caricabbugna — clew, garnet
caricaboline — martinets
caricare — to haul
caricascotte — clew line
carpenteria — carpentry
carrello — carriage
cartonata — carronade
carrozza companionway
carrucola — puleggia — pulley
carta — map, paper
cartoccio — cartridge
casco — helmet
cassa — box
casseretto — poop, quarterdeck, after-castle
cassero — bridge deck
castagna — pawl (capstan)
castagnola — cleat
castello — forecastle
catasta — pile
catena — chain
catramare — to tar
cavalla — topmast staysail
cavatoia — sheave, hole
cavetto — cable
cavicchio — wooden pin
caviglia — belayin pin
cavigliera — pin rail
cavo — cable, rope
cazzascotte — cleat, kevel
cedro — cedar
cella — cell
cementare — to cement
cenere — ash
cenerino — gray paint
centro — center
ceppi — leg irons
cerchiare — to hoop
cerchio — ring, hoop

buttafuoco

cerchio

cherchione — cannon hoop
 cerniera — hinge cerussa —
 white lead cesoia — shear
 cesta — crate checcia —
 ketch chiaro — clear chiatta
 — barge chiavarda — bolt
 chiave — spanner, wrench
 chiesuola — binnacle
 chiglia — keel chiodare —
 to rivet, to nail chiodatura
 — riveting chiodino —
 tack, small nail chiodo —
 nail chiudere — to shut
 chiusura — closure
 cianfrinare — to caulk cielo
 — sky ciliegio — cherry
 cilindro — cylinder cima —
 cable's end cinghia — belt
 cinta — binding strake
 cipresso — cypress circolo
 — circle cisterna — tank
 citta — town ciurma —
 crew classe — rate, class
 clessidra — sand glass
 clipper — clipper ship
 cocca — cog, kink
 coccinelle — toggle coda —
 tail codice — code cofano
 — casing, hood coffa —
 mast top cofferdam —
 bulkhead colaggio —
 leakage

colla — glue, paste
 collare — hoop
 collegamento — connection, link
 collegare — to connect
 collicere — to bump
 collo — ring
 colamento — to fill up
 colombiere — mast head
 colonna — pillar, column
 colpi — hammer strikes
 colpire — to hit
 coltellaccino — topgallant, studding sail
 coltellaccio — studding sail
 coltello — knife
 colubrina — culverin, galley gun
 combaciare — to match
 combustione — combustion
 comento — seam
 cominciare — to begin
 compartimento — compartment
 compasso — compass
 complesso — assembly
 componente — component
 conca — basin
 concatenamento — linkage
 conchiglia — shell
 conciare — to tan
 condensare — to condense
 condotta — piping
 condotto — flue, pipe
 congegno — gear
 cona — cone
 contagocce — dropper
 contatto — contact
 contenitore — container
 contenuto — content
 contorno — outline
 controaereo — anti-aircraft
 contramante — preventer tie
 contramantiglio — preventer lift
 controanello — clamang ring

cherchione

controanello

contobelvedere — mizzen royal
 controbraccio — preventer brace
 controchiglia — upper keel controcoperta —
 spar deck controcorsia — fore and aft carling
 contro dado — lock nut controdragante —
 helm transom contro fasciare — to double
 plank contro fiocco — flying jib controlanda
 — preventer chain plate contromarciapiede —
 yard arm horse contromezzana — mizzen
 topsail contromezzana bassa — mizzen lower
 topsail contromezzana volante — mizzen
 upper
 topsail
 contropiastra — guard plate
 contropicco — ensign gaff
 controportello — cargo door
 controranda — gaff
 controranda di mezzana — mizzen gaff topsail
 controranda di trinchetto — fore gaff topsail
 controruota — inner stem contro sartia —
 preventer shroud controstaglio — preventer
 backstay controvelaccino — fore royal
 controvelaccio — main royal convertire — to
 convert convesso — cambered copale —
 varnish coperchio — cover, lid coperta —
 main deck copertino — steel deck plate
 copertura — coverage coppa — cup coppia
 — couple coppiglia — cotter pin corazza —
 armor corba — frame corda — rope, line
 cordame — cordage corno — horn

contobelvedere

corona — ring coronamento —
 taff rail corpo — body
 corredare — to equip
 correggia — belt corridoio —
 alleyway corridore — lanyard
 corrodere — to corrode
 corrosivo — pitted corsaro —
 raider corsia — header corso
 — strake corsono — sliding
 block cortina — screen costa
 — frame, rib costa — seacoast
 costola — frame costruire — to
 build costruzione —
 construction cotone — canvas,
 cotton convertetta — orlop
 deck cravatta — bridle
 cremagliera — rack cricca —
 crack croce — cross crocette —
 crosstrees crociarne — spars
 crogiuolo — melting pot
 cromatura — chromium plating
 cuscino — pillow

D

dado — nut damigiana —
 carboy danneggiamento —
 damage dara — booms, spars
 dardo — harpoon dare — to
 give

dare

darsena — closed dock	diluire — to thin
data — date	dimensione — dimension, size
davanti — ahead	diminuire — to shorten
decescente — decreasing	di punta — head and head
deflettore — baffle	diramazione — branch
deformazione — deformation	direzione — direction, bearing
delfiniera — dolphin striker	dirigere — to steer
demolire — to break up	disalberare — to dismast
densità — density	disarmato — off-center
dentato — toothed	disbittare — to unbitt
dente — tooth, bill	discesa — fall
dente di fissaggio — snug	disco — disk
dente c'incastro — cog	discolcato — gunwale, drift-rack
dente di ruota — sprocket	disegnare — to draw
depurare — to filter	disegno — drawing
deriva — drift	dislocamento — displacement
destri — round house	discolare — to displace
detonante — priming mixture	disossidante — deoxidizer
devastare — to rake	dispensa — storeroom
deviazione — deflection	dispersione — scattering
diaframma — baffle plate	disposizione — arrangement
diagonale — diagonal	dissaldare — to solder
diagramma — graph	disseccare — to dry out
diametro — diameter	distaccare — to detach
dicco — dock	distanza — distance
dicontra — skysail	distendere — to stretch
dicontra di contromastra — middle skysail	distintivo — pennant
dicontra di contromezzana — jigger skysail	distorzione — distortion
dicontra di maestra — main skysail	divisione — division
dicontra di mezzana — mizzen skysail	documenti — papers
dicontra di trinchetto — fore skysail	doche — barrel staves
dicontra di volante — flying skysail	doppia prora — double ender
diesel barca — diesel launch	doppiare — to double
difesa — rope guard	doppir — twofold
difetto — faulty defect	doppio fondo — double bottom
differenza — difference	dorata — golden
diferrimento — postponement	dormiente — beam
diga — duke	dormiente dei bagli — sleeper beam
dilatare — to expand	dormiente dei castelli — string beam
dilettanto — amateur	dormiente dicoperta — deck beam
diluyente — thinner	dormiente di stiva — hold beam

darsena

dormiente di stiva

dormiente del ponte inferior — lower deck
 beam
 dorsale — ridge dorso
 — back draglia —
 rope stay dritta —
 starboard dritto —
 post drizza — halyard
 droma — spars
 duomo — dome dura
 — stiff durezza —
 hardness

E

ebano — ebony
 eccentricità — eccentricity
 efficienza — efficiency
 elasticità — elasticity
 elevare — to raise
 elevatore — lift elevazione
 — height elica —
 propeller energia —
 power errore — error
 esaminare — to survey
 escludere — to cut out
 espandere — to expand
 esponente — index essere
 — to be essiccante —
 drier est — east
 estrarre — to draw off
 estremità — end

F

fabbrica — mill, factory
 fabro — blacksmith faccia
 — face, surface falchetta
 — gunwale

falconetto — falconet
 falla — breach
 falso — dummy
 fasciare — to plank
 fasciatura — wrapping, serving
 fatica — labor
 fattore — factor
 feltro — felt
 femminella — gudgeon brace
 fendere — to split
 fenditura — crack
 feritoia — loop hole
 fermare — to stop
 ferzo — sailcloth
 fessura — crack
 fiaccola — torch
 fiamma — flame, pennant
 fiancata — broadside
 fianco — side
 fighiera — jackstay
 filaccia — rope yarn
 filare — rail
 filetto — thread
 filo — twine, thread
 filtro — filter
 fine — end
 finestra — window
 finire — to finish
 finezza — fineness
 fiocco — jib
 fiocina — hand harpoon
 fischio — whistle
 fissaggio — fastening
 fiume — river
 flangia — flange
 flessibilità — flexibility
 flotta — fleet
 focolare — furnace, fire-box
 focone — vent
 fodera — sheathing
 foderare — to sheath

dormiente del ponte inferior

foderare

fodero — bucket
 fondazione — foundation
 fondita — casting
 fontana — fountain
 fonte — hatchway, cockpit
 forare — to bore
 foratura — drilling
 forbici — belaying cleat, kevel
 forcella — yoke
 forchetta — fork
 forgia — forge
 formare — to form
 formatura — moulding
 forme — rib bands
 fornire — to supply
 forno — furnace
 foro — hole
 fortezza — belly band
 forza — force
 forzare — to strain
 fragile — brittle
 frascone — garnet
 frassino — ashwood
 frattura — fracture
 freccia — gaff topsail
 fregio — carved work
 frenello — tiller rope-T. chain
 fresare — to mill
 frisata — gunwale
 fucina — forge
 fuga — escape
 fulcro — fulcrum
 fumaiolo — funnel
 fumiera — smoke-box
 fumo — smoke
 fune — rope
 funzionamento — operation
 funzionare — to work
 fuochi — fires
 fuoribordo — outboard boat
 fuoriscalmo — outrigger

fusione — casting
 fusto — drum

G

gabbia — topsail
 gabbia di contromezzana — jigger topsail
 gabbia di contromastra — middle topsail
 gabbia di mezzana — mizzen topsail
 gabbia di trinchetto — fore topsail
 gabbia di maestra — main upper topsail
 gaffa — gaff, pole hook
 gaggia — top castle
 galea — galley
 galeone — galeon
 galleggiabile — buoyant
 galleggiamento — floatation
 galleggiante — float
 galleggiare — to float
 galleria — alley, tunnel
 galletto — wing nut
 galloccia — cleat, cavil
 gallone — gallon
 galtella — bibb
 gamba — transom
 gambo — shank
 ganascia — brake shoe
 gancetto — hook
 gancio — hook
 garanzia — warranty
 garbo — template
 gaschetta — reefing
 gassa — eyesplice
 gavitello — buoy, float
 gelare — to freeze
 gelo — frost
 gemello — twin
 generare — to generate
 generatore — generator
 gente — crew, people
 gerco — gasket

fodero

gerco

gettare — to throw
 gettata — jetty
 getto — casting
 gherlino — hawser, towline
 gherone — girt band
 ghia — cargo line
 ghiaccio — ice
 ghiaia — gravel
 ghindaggio — hoisting
 ghindare — to hoist
 ghindaressa — mast rope
 ghindata — hoist
 ghindazzo — heel tackle
 ghirlanda — deck hook
 ghisa — cast iron
 giacca — jacket
 giardinetti — quarter gallery
 giglio — lily flower
 ginocchio — turn of the bilge
 gioco — clearance
 giogo — yoke
 giorno — day
 giarabecchino — brace
 girante — rotor
 girare — to turn
 giratoio — swivel hook
 giro — turn
 girobussola — gyro compass
 girone — handle
 giropilota — automatic steerer
 giostato — gyrost
 girotta — rudder yoke
 giunta — butt, joint
 giunto — coupling
 giuntura — butt seam
 giunzione — seam
 glifo — link block
 globo — globe
 gola — groove
 goletta — schooner
 golfare — eye bolt

golfo — bay gomina —
 hawser-cable gomenetta —
 cable-laid rope gomito —
 elbow gomma — rubber
 gonfiamento — swelling
 gonfiare — to swell gottazza
 — scoop gotto — pump box
 governare — to steer
 gradino — step grado —
 rank graffa — claw, brace
 grafico — diagram grafite —
 black lead grampia — dog
 iron grandezza — size
 grappa — clip grappino —
 grappling iron grasso —
 grease graticola — fire grate
 gratile — boltrope grattare
 — to scrape grava — strand
 grondaia — chute, spout
 grosso — big gru — crane
 gaietta — bumpkin gruppo
 — cluster, bunch guancia —
 bow guancia — bolster
 guanto — glove guardacorpo
 — lifeline guardamano —
 guard-rope guarnimenti —
 gear guarnitura — fitting
 fuarnizione — gasket guasto
 — breakdown guglia —
 pinnacle guide — guide
 guscio — shell

 gettare

guscio

I

idrometro — water gauge
 illuminazione — lighting
 imballaggio — packing imbando
 — slack imbarcadere — landing
 place imbarcazione — ship's boat,
 craft imbiancare — to whiten
 imbigottare — to turn in a deadeye
 imbittare — to bitt imboccalore —
 to fit with a sleeve imbuto —
 funnel immagine — image, picture
 immergere — to dip, to immerse
 impagliettare — to mat impalcato
 — decking impanatura — thread
 impavesare — to dress ship
 impavesata — bulwark impavesate
 — hammock netting impeciare —
 to pitch impermeabile —
 waterproof imperniare — to bolt
 impianti — installations
 impiombare — to splice
 impiombatura — splice
 impugnatura — handle
 incamiciatura — lining
 incandescente — red hot
 incappellaggio — crance-iron
 incastrare — to mortise incastro —
 mortise incatramare — to tar
 incavigliare — to fasten incavo —
 notch incendiare — to set afire
 incerata — tarpaulin inchiocare —
 to nail incinta — ship's wale

incisore — engraver
 inclinare — to lean
 inclinazione — trim of masts
 incocciare — to hook
 incollare — to glue incrinare
 — to crack incroce —
 squared incrociare — to
 cross incrociniatore —
 cruiser incrostazione —
 scaling incudine — anvil
 incuneare — to wedge
 incurvare — to bend
 indicatore — recorder
 indice — index indietro —
 astern inferire — to lace
 infilare — to feed through
 infossature — runnels
 infrazione — breach
 inghinare — to lash
 ingobbare — to bulge
 ingobrante — bulky
 ingombro — hamper
 ingrannaggio — gear
 ingrassaggio — greasing
 ingrisellare — to rattle
 ingrossare — to grow
 innesto — clutch inondare
 — to flood inossidabile —
 inoxidable insellamento —
 sagging insellatura — sheer
 inserire — to insert
 installare — to install
 insufflare — to inflate
 intaccare — to groove
 intagli — carvings intagliare
 — to carve intasare — to
 block, to jam intelaiatura —
 framework

idrometro

intelaiatura

intercapedine — interspace
 interni — interiors
 interponte — between decks
 interrompere — to disconnect
 interruzione — breaking
 intestare — to butt a joint
 intrecciare — to twist
 introdurre — to insert
 intugiare — to knot two ropes
 invasare — to put on the cradle
 invelare — to clothe a vessel, spread sail
 inventario — inventory
 invergatura — luff-rope
 invertire — to reverse
 invoglia — parcelling
 involucro — casing
 irrigidimento — to straighten
 irrobustire — to strengthen
 isola — island
 isolante — insulation
 istruzioni — instruction

L

laboratorio — workshop
 lacca — lacquer lacerare —
 to rip lama — blade lamiera —
 plate laminare — to
 laminate laminazione —
 cold rolling lampada —
 lamp lampadina — bulb
 lascare — to slack lasciare —
 to let lastrone — sheet
 lato — side latrina —
 latrine lattina — a can,
 container lavaggio —
 washing lavare — to wash

lavorare — to work lavoro —
 work, job leccio —
 evergreen oak lega —
 alloy legamento —
 binding legare — to tie
 legname — wood, timber
 legno — wood legnolo —
 rope strand lente — glass,
 lens lenza — fishing line
 lesina — sewing awl
 lesione — leak leso — tap
 bolt lettera — letter letto —
 bed lettura — reading
 leva — lever levante —
 orient, east levigare — to
 smooth lezzino — marline,
 marling libbra — pound
 liberare — to free libero —
 open, clear libo —
 lighter libretto — little
 book lignite — brown coal
 lima — file limaccioso —
 slimy limare — to file
 limatura — file dust limite —
 limit lingotto — ingot
 linguella — baffle plate
 lino — flax liquefare — to
 melt liquido — liquid, fluid
 lishiare — to smooth lista —
 list listello — band,
 fillet listone — planksheer

 intercapedine

listone

litro — liter livella — level
 livello — level gauge locale
 — space, room localizzare
 — to spot logoramento —
 wear lombolo — bilge
 longarina — ribband
 longiterone — spring beam
 longitudinale — longitudinal
 lontano — far away losca —
 rudeer well lotto — parcel
 luce — light lucidare — to
 polish lume — lantern luna
 — moon lunetta — bell
 chuck lunghezza — length
 luogo — place lupa —
 strainer plate

M

macchina — engine
 macchinario — machinery
 macchinista — engineer
 madiata — log-raft madiere
 — floor plate madre vite —
 screw die magazzino —
 warehouse maglia — chain
 link maglietto — maul,
 hammer magnete — magnet
 malleabile — malleable
 mancare — to miss mancina
 — crane mandare — to send
 mandata — discharge
 mandola — bull's eye
 mandrinare — to expand

mandrino — expander
 maneggiare — to handle
 manichetta — spout, hose
 manico — handle
 manicotto — sleeve
 maniglia — shackle
 manilla — manila (rope)
 mano — hand
 manometro — pressure gauge
 manopola — knob
 manovella — crank
 manovra — operation, maneuver
 mantelletto — port lid
 mantello — shell
 mantice — bellows
 manuale — handbook
 manubrio — handle
 manutenzione — maintenance
 mappa — chart, map
 mappamondo — globe
 marcare — to mark
 marchio — branding iron
 marcia — march
 marciapiede — footrope
 mare — sea
 marea — tide
 margherita — sheep-shank
 margine — edge
 marinaio — seaman
 martellare — to hammer
 martello — hammer
 martinetto — jack
 masca — bow
 mascella — saw
 maschera — mask
 maschetta — mast cheek
 maschiare — to tap
 maschio — nut
 mascolo — chambered block
 mascone — bow
 massa — mass, weight

litro

massa

mastice — cement
 mastra — coaming
 matafione — roband
 materia — subject
 mattone — brick
 mazza — sledge hammer
 mazzetta — headrope
 massuolo — mallet
 meccanismo — gear
 megafono — speaking tube
 mensola — bracket
 merlino — marlin
 metallo — metal
 metrico — metric
 metro — measuring tape
 mettere — to put
 mezzagalera — half galley
 mezzana — crossjack
 mezzanella — mizzen, jigger
 mezzanino — hatch beam
 mezzavela — raffee (half gaff sail)
 mezzi — means
 mezzoponte — raised deck
 mezzotondo — half round bar
 miglio — mile
 mimetizzare — to camouflage
 mina — mine
 minerale — ore
 minio — red-lead
 minuto — minute
 mira — aim
 mirare — to aim
 miscela — mixture
 misura — measure
 mitragliera — machine gun
 modanatura — moulding
 madano — spool
 modellismo — modelling
 modello — model
 mogano — mahogany
 mola — grinding wheel

mastice

molare — to grind
 molla — spring
 montacarichi — elevator
 montaggio — assembling
 montare — to assemble
 mordace — vile clamp
 morsa — vice
 mortaretto — pump box
 mortasa — mortise
 mortisa — fid-hole
 moto — motion
 motobarca — motorboat
 motolancia — motorlaunch
 motonave — motorship
 motopeschereccio — motor fishing vessel
 motopompa — motor pump
 motore — engine
 motoscafo — motorboat
 motrice — engine
 movimento — motion
 mozzo — ring bolt
 mulinello — windlass
 munizioni — ammunition
 mura — tack
 murare — to haul
 mure — tacks
 muro — wall
 mutamento — shifting

N

naso — nose
 nastro — tape
 navale — tape
 nave — ship
 navigare — to sail
 nazione — nation
 nebbia — fog
 nemico — enemy
 nervatura — bead
 netto — clean

netto

neve — snow
 nicchia — recess
 noce — walnut
 nodo — knot nome
 — name nord —
 north nota — note
 notte — night nube
 — cloud nucleare
 — nuclear numero
 — number nuotare
 — to swim

O

obiettivo — target oblo
 — porthole occhiello —
 eyelet occhio — eye
 occidente — west
 occultare — to conceal
 oceano — ocean officina
 — workshop oggetto —
 subject matter olio — oil
 olivo — olive onda —
 wave ondulato —
 rippled opera — works
 operaio — worker
 operatore — operator
 ora — hour, time orbita
 — orbit ordinate —
 frame, rib ordine —
 order orecchia — cleat
 orecchione — trunnion
 organi — components
 oriente — east orizzonte
 — horizon orlo — edge,
 trim

neve

ormeggi — moorings
 ornamento — moulding
 orologio — clock orza —
 luff oscurare — to darken
 ospedale — hospital
 osservare — to sight
 osservatore — observer
 ossidabile — oxidable
 ossidare — to oxidize
 ossigeno — oxygen
 ostacolo — hamper
 osteriggio — skylight ostino
 — vang, guy ostruzione —
 barrier ottica — optics
 ottone — brass otturare —
 to choke up ovest — west

P

pacco — parcel padiglione
 — rigging pagaia — paddle
 paglietto — mat pagliolato
 — floorboards paiuolo —
 guns platform pala —
 shovel, blade palamite —
 troll line palanca —
 gangway palancare — to
 bowse palanchino — crow
 bar palco di comando —
 bridge palella — paddle
 palissandro — rosewood
 palla — bullet, cannon ball
 pallierà — shot-rack pallone
 — balloon palo — pole
 palombaro — diver

palombaro

paluce — marsh pancia — bilge,
 belly pane — bread panfilio —
 yacht paniere — basket pannello
 — panel-board panno — hatch-
 cover pappafico — fore-
 topgallant-sail parabordo —
 bumper paraelica — propeller
 guard paraffina — wax
 parafulmine — lightning rod
 paraghiacchio — ice fender
 parallele — parallel rules
 paramarre — anchor chock
 paramezzale — keelson
 paranchino — jigger-tackle
 paranco — tackle perdere — to
 lose perdita — loss perforare —
 to drill pericolo — danger
 periferico — peripheral
 perimetro — perimeter, girth
 periodo — period, cycle
 periscopio — periscope perla —
 pearl perno — bolt, pin pernone
 — gudgeon pernotto — rivet
 peppendicolare — perpendicular
 pesare — to weigh pesca —
 fishing pescaggio — draft
 pescatore — fishing tackle
 peschereccio — fishing boat
 peso — weight petroliera — oil
 tanker pezzo — gun, cannon
 pezzo — part, component pialla
 — plane

paluce

piallare — to plane
 pianeta — planet piano —
 chart, plan piano — flush
 piano — slowly pianta —
 layout piastra — plate
 piastrina — shimstock
 piattaforma — platform
 piatto — plate piazzale —
 area picchettaggio —
 scaling picco — gaff,
 peak picozza — broad axe
 piede — foot, heel
 piedestallo — pedestal
 piedistallo — pillow-block
 piegare — to fold, to furl
 piegato — indented
 piegatura — bending
 piena — full pietra —
 stone pigna — pump
 strainer pignone —
 pinion pila — battery
 pilastro — pillar
 pinnacolo — pinnacle
 pino — pine pinta — pint
 pinza — crow-bar pinze
 — pliers pioggia — rain
 piolo — — pin, rung
 piombo — lead pioppo
 — poplar piovere — to
 rain pipa — pipe pirata
 — pirate pirobarca —
 steam launch piroscavo —
 steamer piscina —
 swimming pool

piscina

pispagno — pitch-pine
 pista — ball race, trek
 pistola — pistol
 pistone — piston
 pittura — paint
 pitturale — to paint
 piuolo — rung (ladder)
 placca — plate
 plancia — bridge
 polaccone — spinnaker
 polena — figurehead
 pollice — inch
 polo — pole
 polvere — powder, dust
 polveriera — powder-magazine
 pompa — pump
 pompare — to pump
 ponente — west
 ponte — deck, bridge
 pontile — pier
 pontone — barge
 pontuale — sleeper
 poppa — stern
 poppavia — aft, astern
 porta — door, gate
 portacaviglie — spider band
 portapalle — shot-rack
 portata — load capacity
 portellino — light-port
 portello — port, opening
 porto — harbor
 posizione — position
 posta — mail
 posto — station
 potenza — horsepower
 prendere — to take
 preparato — compound
 pressare — to press
 pressatrecce — gland, stuffing box
 pressione — pressure
 prezzo — price

procedere — to proceed
 procedimento — process
 prodotti — products
 produzione — output profilato
 — section-bar profondita —
 depth profondo — deep
 progettare — to plan progetti
 — plans progredire — to make
 headway proietto — shell
 proiezione — projection
 prolunga — extension
 prolungare — to extend pronto
 — ready propulsione —
 propulsion propulsore —
 propeller prora — bow, stem
 proravia — forward proseguire
 — to proceed proteggere — to
 protect prova — test, trial
 provare — to test prove — tests,
 trials provviste — stores, supply
 prua — bow puleggia — pulley
 pulizia — cleaning pulsante —
 pushbutton punizione —
 punishment punta — point, bit
 puntale — pillar puntamento —
 aiming puntare — to point, to
 aim punteggiare — to point
 puntellamento — strutting
 puntellare — to prop puntelli
 — tree timbers puntello — strut
 punteruolo — awl, stabber
 punto — point

pispagno

punto

punzonare — to punch
 punzone — hand punch

Q

quaderno — book quadraggio
 — hatch square quadrante —
 quadrant quadrato — square
 quadrello — lining cloth
 quadro — panel board qualità
 — qualities quarantina —
 quarantine quartabuono —
 bevel quarto — quarter quattro
 — four quercia — oak quinto
 — frame, timber quota —
 depth quotatura —
 dimensioning

R

rabazza — heel — (mast) raccolta
 — gangway racconciare — to
 mend raccontare — to tell
 raccorciare — to shorten raccordare
 — to connect, to joint raccord —
 pipe fitting raddobbare — to refit
 raddoppiamento — doubling, lining
 raddoppiare — to double radunare
 — to collect, assemble raffica —
 wind gust raffilatoio — spoke-shave
 raffio — crow-bar rafforzare — to
 strengthen raffreddamento —
 cooling raggio — arm, radius ragna
 — crowfoot

punzonare

ralinga — bolt-rope ralla —
 half bearing rallentamento —
 deceleration rallentare — to
 decelerate ramaio —
 coopersmith ramato —
 coppered rame — copper
 ramificazione — branch ramo
 — branch rampa — ramp
 rampino — grapnel rampone
 — harpoon randa — mainsail
 rapportatore — protractor
 rapporto — ratio raschiato
 — scraper raschietta — sealer
 raso — flush raspa — rasp
 raspare — to rasp
 rastrellamento — raking
 rastrellare — to drag
 rastrelliera — rack rastrello
 — drag, rake rastremare —
 to taper rata — rate
 rattoppare — to patch
 rattoppo — patch razione —
 allowance razzo — rocket
 reale — royal galley reattore
 — reactor, jet reazione —
 reaction recipiente — can,
 container redan — step
 redancia — thimble redazza
 — mop, deck mop redazzare
 — to swab refrattario —
 refractory refrigerante —
 coolant refrigeratore —
 cooler

refrigeratore

regata — race, regatta
 reggimano — hand-rail
 reggiscosse — buffer, bumper
 reggispinta — shock absorber
 regione — area, zone
 registratore — recorder
 registro — book, log registro
 — damper regola — rule,
 method regolatore — governor
 control regolo — straight edge
 rule relitti — wreckage relitto
 — wreck remi — oars rena —
 sand residuo — residue resina —
 resin resistenza — drag
 restare — to lay, to rest rete
 — netting, network reticella
 — gauze (wire) reticolato —
 grid retrocedere — to back up
 rettificare — to correct
 revisione — overhaul
 rialberare — to remasi
 ribattino — rivet ribuzzo —
 drive bolt ricalafatare — to
 recalk ricerca — search
 ricerche — researches ricevere
 — to receive ricoprimento —
 overlapping ricostruire — to
 rebuild ricovero — shelter
 ricuocere — to anneal
 ricuperare — to salvage
 ricupero — salvage rida —
 lanyard riduttore — reducer
 riduzione — reduction

riempimento — filling
 riflettore — reflector
 riga — rule, straight edge
 riggia — futtock, shroud
 righino — rubbing, strake
 rigidezza — stiffness
 rimontaggio — to reassemble
 rimorchio — tow
 rinculare — to recoil
 rinforzo — stiffener
 ringhiera — rail, handril
 riparare — to fix
 ripetere — to repeat
 riposo — rest
 riposteria — pantry
 ripostiglio — locker
 riprendere — to recover
 ripristinare — to restore
 riquadratura — square-butting
 riscaldamento — heating
 rischi — risks, perils
 rispetti — spare-stores
 ritagli — crop-ends
 ritardare — to lag, to delay
 ritegno — stop
 ritenuta — breeching, check-ropes
 ritiro — shrinkage
 ritornare — to come back
 ritorno — hauling end
 riva — shore
 rivelare — to detect, to uncover
 riverniciare — to repaint
 rivestimento — furring, sheathing
 rivestire — to coat, to sheath
 rivetto — rivet
 rivolta — mutiny
 rizza — lashing
 rizzare — to lash, to secure
 rizzatura — frapping, lashing
 robustezza — strength
 rocchetto — coil, reel

regata

rocchetto

roccioso — rocky
 rollare — to roll, to reel
 rompighiaccio — icebreaker
 rondella — washer
 rosa — rose
 rosetta — washer
 rosso — red
 rotaia — rail
 rotante — rotary
 rotazione — turn
 rotella — winch drum
 rotolare — to roll
 rotore — rotor
 rotta — course
 rottame — wreckage
 rotto — broken
 rovere — quercia
 rovesciare — to tip
 rovesciato — upside down
 rubare — to steal
 rubinetto — cock, valve
 ruggine — rust
 rugiada — dew
 rugosità — roughness
 rullo — roller
 rumenta — garbage
 ruota — wheel

S

sabbia — sand sabbiatura —
 sandblasting sacca —
 pocket sacchetto — small
 bag sacco — bag sagola —
 lanyard sagoletta — string
 sagomare — to shape
 sagomatura — shaping sala
 — room salda — dura,
 strong

saldare — to solder
 saldatoio — soldering iron
 saldatrice — welder
 saldatura — weld
 sale — salt
 saletta — officers' mess
 salire — to rise
 salpare — to weigh anchor
 salsola — kelp
 saltare — to jump
 salto — rise, lift
 salutare — to salute
 salva — volley, salute
 salvare — to rescue
 sambuco — elder
 sano — sound
 santabarbara — powder magazine
 saracco — handsaw
 saracinesca — sluice-valve
 sartia — shroud
 sassola — scoop
 sballare — to unpack
 sbandamento — list, heeling
 sbandare — to list
 sbarcare — to land
 sbarra — bus-bar
 sbarzamento — obstruction
 sbarrare — to block
 sbieco — skew
 sbirro — strap, strop
 sbracare — to unslung
 sbullonare — to unbolt
 scafandro — diving gear
 scafo — hull, craft
 scaglia — scale
 scala — ladder, gangway
 scaldare — to warm, to heat
 scalinata — staircase
 scalino — step
 scalmi — timbers
 scalmiera — rowlock

 roccioso

scalmiera

scalmo — oar-pin
 scalmotto — stanchion
 scalo — dock, berth
 scalpellare — to chip, to chisel
 scalpello — chisel
 scalzare — to undermine
 scambio — exchange
 scanalare — to groove, to slot
 scanalatura — furrow, rabbet
 scandagli — soundings
 scannellare — to channel
 scannellatura — rabbet
 scanno — bar
 scantonare — to chamfer
 scappavia — galley
 scappellare — to unbitt, to unrig
 scarica — discharge
 scaricabombe — depth-charge-rail
 scaricare — to unload
 scarico — exhaust, discharge
 scarpa — fluke chock
 scassa — mast step, step
 scatola — box, case
 scatto — release
 scendere — to come down
 scheggia — splinter
 scheggiare — to chip, to splinter
 scheletro — skeleton
 schema — diagram
 schermare — to shield
 schermo — baffle
 schienale — backrail
 schiodare — to unrivet
 schiuma — foam
 scia — wake
 sciabola — sword
 scialuppa — sailboat
 sciarpa — sash
 scienze — sciences
 scintilla — spark
 scintillare — to sparkle

sciogliere — to untie
 sciopero — strike
 scivolare — to slip
 scivoro — skidway, skate
 scocciare — to unhook
 scodella — bowl, saucer
 scodellino — cup
 scogli — rocks
 scogliera — reef
 scolo — drain
 scoltura — carved work
 scopa — broom
 scopamare — lower-studding-sail
 scoperta — discovery
 scoppiare — to blow up, to burst
 scoria — scale
 scorrere — to flow, to slide
 scotta — sheet (sail brace)
 scovolo — swab, brush, tube brush
 screpolatura — crack, flaw
 scricciare — to chip
 scuire — to unseam
 scudare — to shield
 scudo — shield
 scuola — school
 scure — ax, broadax
 secca — shoal
 seccare — to dry up
 secchio — pail, bucket
 sede — seat
 sedia — chair
 sedile — seat
 sedimento — deposit, scale
 sega — saw
 segaccio — ripsaw
 segare — to saw
 segetto — handsaw
 segnale — signal
 segnare — to mark
 segno — mark
 seguire — to follow

scalmo

seguire

sella — seating, bearer, base
 semaforo — semaphore
 semicerchio — semi-circle
 semitondo — half-round bar
 senso — direction sentina —
 bilge sentinella — sentry
 serbatoio — tank, reservoir
 serie — set, row serpentino —
 pipe coil serrabozze —
 cathead stopper serracavi —
 cable clamp serrafilò — wire
 clamp serragiunto — screw-
 clamp serranda — damper
 serrapennone — leech-line
 serrare — to furl, to close
 serratura — lock serretta —
 batten serrette — bottom-
 boards serrettoni — thick
 strakes sesta — template
 sestante — sextant sesto —
 model, template settore —
 quadrant sezione — section,
 department sfera — globe, ball
 sfiatatoi — venting system
 sfilacce — old-rope yarns
 sfilacciare — to untwist
 sfoderare — to unsheathe
 sfogo — vent sfondatoio —
 auger sforzo — stress, strain
 sfregare — to chafe, to rub
 sfuggire — to escape
 sgangiare — to release
 sgombrare — to clear sgranare
 — to uncouple sgrossatura —
 roughing sicurezza — safety

sicuro — reliable, safe sifone
 — siphon sigillare — to seal
 sigillo — seal silenzio —
 silence silice — silica silo —
 storage bin siluro — torpedo
 simbolo — symbol simmetria
 — symmetry simmetrico —
 symmetrical sinistra —
 portside sinistro — accident
 sintonizzare — to tune up
 sirena — siren, mermaid
 siringa — syringe sistema —
 system siviera — ladle
 slacciare — to unlace slancio
 — overhang slegare — to
 unlash slitta — slide
 slittamento — shifting smaltare
 — to enamel smanigliare — to
 unshackle smantellamento —
 dismantling smantellare — to
 dismantle smerigliare — to
 grind smeriglio — emery
 paper smontare — dismantle
 smorzatore — damper
 smussare — to bevel snodare
 — to unknot snodo — joint
 soccorso — assistance società
 — company, firm soda —
 soda sodio — sodium soffiante
 — blower soffiare — to blow
 soffietto — bellows

 sella

soffietto

soffittatura — ceiling, overhead
 soffocamento — smothering
 soffacare — to smother
 soglia — sole, sill, sheerstrake
 solco — groove
 soldo — money
 sole — sun
 solfato — sulphate
 sollevamento — lifting
 sollevare — to hoist, to lift
 solstizio — solstice
 soluzione — solution
 solvente — solvent
 sommergere — to submerge
 sommergibile — submarine
 sommergibile — submersible
 sonar — sonar
 sonda — gauge, probe
 sondaggio — sounding
 sopracqueo — above-water
 soprastruttura — superstructure
 sordina — camper
 sorgere — to rise
 sorpresa — surprise
 sorveglianza — survey
 sospendere — sling
 sospeso — overhung
 sostegno — support, bearer
 sostenere — to support
 sostituire — to replace
 sostituzione — replacement
 sottacqua — underwater
 sottigliezza — thinness
 sottochiglia — false keel
 sottocoperta — below deck
 sottogavone — peak tank
 spaccare — to split
 spaccatura — crack
 spada — sword
 spago — twine, cord
 spalliera — back-board

soffittatura

spalmare — to pitch
 spargere — to spread
 spassare — to unhook
 spatola — putty knife
 spazio — space, room
 spazzare — to sweep
 spazzola — brush
 specchio — mirror
 spedire — to send, to mail
 spedizione — shipment
 spegnere — to extinguish
 speronare — to ram
 sperone — ram, beak
 spese — costs, dues
 spessimetro — thickness gauge
 spessore — liner, shim
 spezzare — to break
 spiaggia — beach
 spianare — to plane, to smooth
 spigolo — corner
 spigone — pole
 spillatura — leakage
 spillo — pin
 spina — eyebolt, ring bolt
 spingarda — gun nozzle
 spinnaco — spinnaker
 spinotto — gudgeon
 pin spinta — thrust
 spira — coil
 spiracolo — blow-hole
 spiraglio — skylight
 spirale — flat coil
 spirare — to blow
 spola — rope winch
 spoletta — percussion fuse
 sponderuola — rabbet plane
 sporcare — to foul
 sporco — foul, dirty
 sportello — door
 spostamento — shifting
 spostare — to displace

spostare

spreco — wastage spremere
 — to wring spring — spring
 spruce — spruce spruzzare
 — to spray spruzzatoio —
 sprinkler spugna — sponge
 spuma — spray, foam
 spuntone — half spike
 spurgo — drainage squadra
 — square, angle iron
 squadrare — to square out
 squarcio — hole, rip
 squilibrio — disalignment
 stabile — steady, permanent
 stabilimento — plant, works
 stabilita — stability staccare
 — to detach staccio — sieve
 stadio — stage stagionamento
 — desiccation stagnare — to
 tin, to solder stagno — tin
 stagnola — tin foil stagnone
 — drum staio — bushel
 stalla — cattle shed
 stampaggio — pressing
 stampiglia — stencil stampo
 — die, mould stante — pillar
 stantuffo — piston, ram stare
 — to be, to stay stazza —
 tonnage stazzatura — ship
 tonnage stecca — batten
 stella — star
 stellato — lean, wedgelike
 stelo — roo, shank stemma
 — ornament

stendere — to stretch out
 stilo — pillar
 stimare — to appraise
 stiva — hold
 savaggio — stowage
 stoppa — oakum
 stoppaccio — wad
 stoppino — wick, match
 storia — history
 stracci — rags
 strafilatura — lacing
 straglio — stay
 stramazzo — overfall
 strangocalani — reef line
 strangolare — to muzzle
 strappo — jerk
 strategia — strategy
 strato — layer
 stretto — strait, narrows
 stricco — runner and tackle
 stringere — to tighten
 stringitoio — turning fid
 striscia — strip
 strizzare — to wring
 stroppare — to strop, becket
 strozzare — to throttle
 strozzatoio — chain stopper
 strozzatura — neck
 strumento — instrument
 struttura — framing
 stucco — putty
 succhiello — auger
 sud — south
 suggio — peg, treenail
 sughero — cork
 suola — sole
 superficie — surface, area
 supporto — rest, stand, support
 svasare — to countersink
 sveglia — alarm clock

spreco

sveglia

svergolamento — twisting
svitare — to screw off
svolgere — to uncoil

T

tabella — table, schedule
tacca — block tacchetto —
cleat, kevel taglia — four-
sheave-block tagliacavo —
rope knife tagliafili — wire
cutter tagliamare — cut
water tagliare — to cut
tagliatubi — pipe cutter
tagliavetro — glass cutter
tagliolo — chisel tamburo
— barrel, drum tamponare
— to stop a leak tampone
— buffer tanaglia — cavel,
kevil tanca — tank tappeto
— pattern tappo — plug,
stopper tarare — to
calibrate targhetta — plate,
tag tarlare — to decay
tarlato — decayed tarlo —
wood worm tarozzo —
sheer pole, rung tassello —
caulking piece tasto — key,
telegraph key tavola —
table tavola — plank, board
tavolato — planking tavole
— tables tazza — cup teck
— teak wood tela — cloth,
canvas telaio — frame, rack
telefono — telephone
telegrafo — telegraph

telemetro — range finder
telescopio — telescope
tempera — hardening
temperatura — temperature
tempesta — storm
tempo — weather
tempo — time
tempra — tempering
tenaglia — nippers, pincers
tenda — awning, tent
tendaletto — boat awning
tendina — curtain
tenere — to keep, to hold
tenone — tenon
tensione — voltage
teoria — theory
termico — thermal
termometro — thermometer
termostato — thermostat
terra — land, earth
terzarolare — to reef
terzarolo — reef — (rope)
tesare — to haul up
tesascotte — cleat, kevil
tesato — taut
tessil — soft goods
tessuto — cloth
testa — head
testa a croce — crosshead
testa di moro — cap, mast cap
testiera — forward leech
tettoia — shed
tendibene — ladder hand rope
tiglio — lime
timone — rudder, helm
timoniera — wheel house
timoniera — steering compartment
timoniere — helmsman
tinozza — tub
tiraggio — draught, draft
tirante — fall, stay bar

svergolamento

tirante

tiranteria — linkage
 tirantino — staybolt
 tirare — to haul
 tirastoppe — packing worm
 tiro — firing shot
 toccare — to touch
 togliere — to remove
 tondo — round
 tonnello — tonnage
 torcere — to twist
 torchio — press
 torcia — torch
 torelli — garboard planking
 tornichetto — rigging screw
 tornio — lathe
 tornire — to turn on the lathe
 toro — steering wheel
 torpedine — torpedo, mine
 torre — tower
 torretta — conning-tower
 torsione — twist
 tracciare — to chart
 tracciatura — layout
 trafila — draw bench/for pipes
 traguardo — sight, vang
 traiettoria — trajectory
 tramezzo — separating wall
 tramoggia — hopper feeder
 tramonto — sunset
 tranciare — to sheer
 trapanare — to drill, to bore
 trapano — drill
 trappa — hatch bar
 trasformare — to transform
 trasmissione — gear drive
 trasportare — to transport
 trattamento — treatment
 trave — girder, beam
 traversa — cross-bar
 traversino — spring line
 traverso — beam

tiranteria

travirare — to flare travotto —
 studding treccia — rope twist
 trementina — turpentine treno
 — train triangolare — jib-
 shaped triangolo — triangle
 trinca — lashing trincare — to
 lash trincarino — stringer plate
 trincatura — lashing
 trinchettina — foresail trivella
 — auger, borer trivellare — to
 bore, to drill tromba —
 ventilator cowl trombino —
 steam-escape-pipe tronco —
 shaft, branch trozza — parrel,
 truss trucco — traveller
 truciolo — wood chip
 tubazione — pipework tubiera
 — boiler tubes tubo — tube,
 pipe tuffare — to dip, to
 douse tuffarsi — to dive tuga
 — deck house tulipano —
 tulip wood turare — to plug,
 to stop turbina — turbine
 turno — rotation tuta —
 overalls

U

ufficio — office ugello
 — nozzle ugnare — to
 bevel umidità —
 humidity uncino —
 hook ungere — to
 grease unghia — end
 joint

unghia

unghietta — cross-cut chisel
 unghietto — chasing-tool
 unione — joint
 unire — to join
 unita — assembly
 universo — universe
 untuoso — oily
 uomo — man
 urtare — to collide, hump
 urto — collision
 uscita — exit, outlet
 usura — wear
 utensile — tool

V

vacante — empty
 vaiolato — pitted
 valore — value
 valvola — valve
 vampa — flash, blaze
 vapore — steam
 vasca — tank, basin
 vascello — ship
 vasi — launching ways
 vassoio — tray
 vedetta — lookout
 vela — sail
 velaccino — fore-topgallant sail
 velaccio — topgallant sail
 velame — sails
 veliero — sailing ship
 velo — veil
 velocita — speed, velocity
 venatura — grain (wood)
 vendita — sale
 venire — to come
 ventilare — to fan
 ventilatore — fan, blower
 vento — wind
 vento — guy wire
 ventola — impeller

unghietta

verde — green
 verga bar
 verghella — hoop-iron
 verificare — to check; — to verify
 vernice — varnish
 verniciare — to paint
 verricello — winch
 vertice — vertex
 vetro — glass
 vetta — hauling line
 viaggio — voyage
 vibrare — to vibrate
 vicino — close to
 vinci — steam winch
 viscosità — viscosity
 visitare — to visit, to search
 vista — sight
 vite — screw
 vitone — breech screw
 voce — voice
 vogare — to row, to oar
 volano — flywheel
 volta — turn, kink (rope)
 volta — hitch, knot
 voltare — to turn
 volume — volume
 vuoto — vacuum

Z

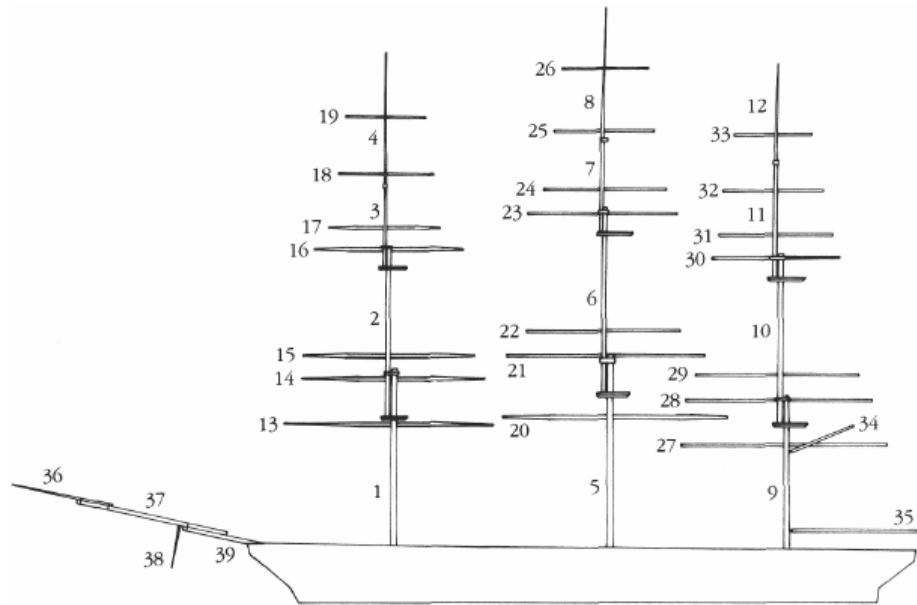
zaffo — boat plug zampe di ragno
 — oil grooves zattera — raft
 zatterino — coper punt zavorra —
 ballast zavorrare — to ballast
 zeppa — shim, wedge zincare —
 to galvanize zinco — zinc zoccolo
 — pedestal zolfo — sulphur zona
 — zone, area

zona

USEFUL TERMS

TABLE 1. ALBERI E PENNONI
(MASTS AND SPARS)

- | | |
|---|--|
| <ol style="list-style-type: none"> 1. Fuso maggiore di trinchetto — fore lower mast 2. Albero di parrochetto — fore topmast 3. Alberetto di velaccino — fore topgallant mast 4. Alberetto di controvelaccino e decontrovelaccino — fore royal and fore skysail mast 5. Fuso maggiore di maestra — main lower mast 6. Albero di gabbia — main topmast 7. Alberetto di gran velaccio — main topgallant mast 8. Alberetto di controvelaccio e decontrovelaccio — main royal and main skysail mast 9. Fuso maggiore di mezzana — mizzen lower mast 10. Albero di contromezzana — mizzen topmast 11. Alberetto di belvedere — mizzen topgallant mast 12. Alberetto di controbelvedere e decontrobelvedere — mizzen royal and mizzen skysail mast 13. Pennone maggiore di trinchetto — fore yard 14. Pennone di parrochetto fisso — fore lower topsail yard | <ol style="list-style-type: none"> 15. Pennone di parrochetto volante — fore upper topsail yard 16. Pennone di velaccino fisso — fore lower topgallant yard 17. Pennone di velaccino volante — fore upper topgallant yard 18. Pennone di controvelaccino — fore royal yard 19. Pennone di decontrovelaccino — fore skysail yard 20. Pennone maggiore di maestra — main yard 21. Pennone di gabbia fissa — main lower topsail yard 22. Pennone di gabbia volante — main upper topsail yard 23. Pennone di (gran) velaccio fisso — main lower topgallant yard 24. Pennone di (gran) velaccio volante — main topgallant yard 25. Pennone di controvelaccio — main royal yard 26. Pennone di decontrovelaccio — main skysail yard 27. Pennone maggiore di mezzana — crossjack yard 28. Pennone di contromezzana fissa — mizzen lower topsail yard 29. Pennone di contromezzana volante — mizzen upper topsail yard 30. Pennone di basso belvedere — mizzen lower topgallant yard |
|---|--|

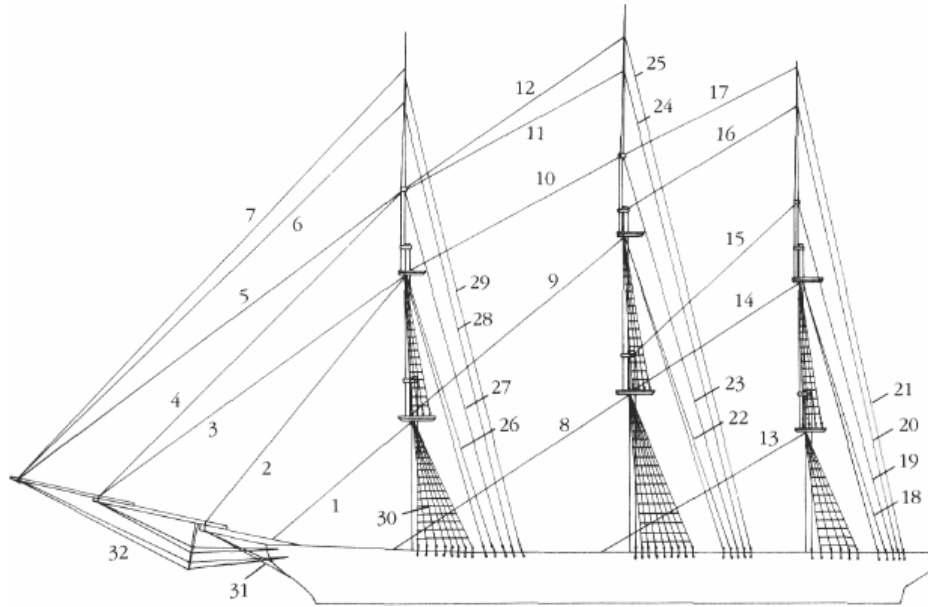


31. Pennone di belvedere volante — mizzen upper topgallant yard
 32. Pennone di controbelvedere — mizzen royal yard
 33. Pennone di decontrobelvedere — mizzen skysail yard
 34. Picco — gaff

35. Bomma della randa (di mezzana) — gaff-sail boom
 36. Asta di controfiocco — flying-jibboom
 37. Asta di fiocco — jibboom
 38. Pennaccino — martingale boom, dolphin striker
 39. Bompresso — bowsprit

TABLE 2. MANOVRE DORMIENTI
 (STANDING RIGGING)

- | | |
|---|---|
| <p>1. Straglio dell'albero di trinchetto — fore</p> <p>2. Straglio dell'albero di parrochetto — fore topmast stay</p> <p>3. Draglia del fiocco — jib stay</p> <p>4. Stralietto dell'alberetto di velaccino — fore topgallant stay</p> | <p>5. Draglia del controfiocco — flying-jib stay</p> <p>6. Stralietto dell'alberetto di controvelaccino — fore royal stay</p> <p>7. Stralietto dell'alberetto di decontrovelaccino — fore skysail stay</p> <p>8. Straglio dell'albero di maestra — main stay</p> <p>9. Straglio dell'albero di gabbia — main topmast stay</p> <p>10. Stralietto dell'alberetto di velaccio — main topgallant stay</p> |
|---|---|



- | | |
|--|---|
| 11. Stralretto dell'alheretto di controvelaccio — main royal stay | trobelvedere — mizzen skysail backstay |
| 12. Stralretto dell'alheretto di decontrovelaccio — main skysail stay | 22. Paterazzo dell'albero di gabbia — main topmast backstay |
| 13. Straglio dell'albero di mezzana — mizzen stay | 23. Paterazzo dell'albero di velaccio — main topgallant backstay |
| 14. Straglio dell'albero di contromezzana — mizzen topmast stay | 24. Paterazzino dell'alberetto di controvelaccio — main royal backstay |
| 15. Stralretto dell'alberetto di belvedere — mizzen topgallant stay | 25. Paterazzino dell'alberetto di decontrovelaccio — main skysail backstay |
| 16. Stralretto dell'alberetto Idi controbeldere — mizzen royal stay | 26. Paterazzo dell'albero di parrochetto — fore topmast backstay |
| 17. Stralretto dell'alberetto di decontrobelvedere — mizzen skysail stay | 27. Paterazzo dell'albero di velaccino — fore topgallant backstay |
| 18. Paterazzo dell'albero di contromezzana — mizzen topmast backstay | 28. Paterazzino dell'alberetto di controvelaccino — fore royal backstay |
| 19. Paterazzo dell'albero di belvedere — mizzen topgallant backstay | 29. Paterazzino dell'alberetto di decontrovelaccino — fore skysail backstay |
| 20. Paterazzino dell'alberetto di controbeldere — mizzen royal backstay | 30. Stragli — shrouds |
| 21. Paterazzino dell'alberetto di decon- | 31. Stragli di bompresso — bowsprit shrouds (bobstays) |
| | 32. Stragli di fiocco — jibstays |

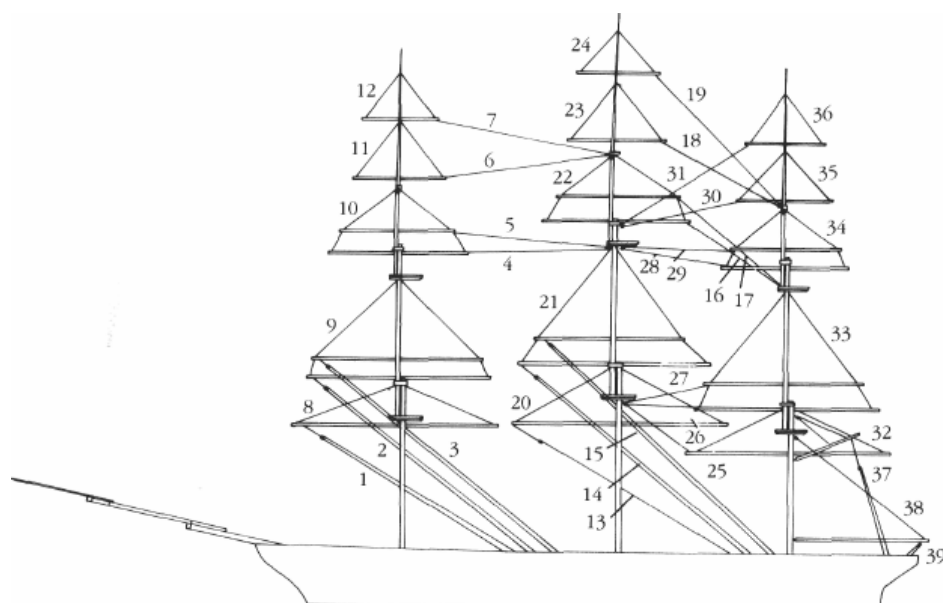


TABLE 3. MANOVRE CORRENTI
(RUNNING RIGGING)

- | | |
|---|---|
| 1. Braccio del pennone di trinchetto — fore brace | 10. Amantiglio del pennone di velaccino — fore topgallant yard lift |
| 2. Braccio del pennone di parrochetto fisso — fore lower topsail brace | 11. Amantiglio del pennone di controvelaccino — fore royal yard lift |
| 3. Braccio del pennone di parrochetto volante — fore upper topsail brace | 12. Amantiglio del pennone di decontrovelaccino — fore skysail yard lift |
| 4. Braccio del pennone di velaccino fisso — fore lower topgallant brace | 13. Braccio del pennone di maestra — main brace |
| 5. Braccio del pennone di velaccino volante — fore upper topgallant brace | 14. Braccio del pennone di gabbia fissa — main lower topsail brace |
| 6. Braccio di controvelaccino — fore royal brace | 15. Braccio del pennone di gabbia volante — main upper topsail brace |
| 7. Braccio di decontrovelaccino — fore skysail brace | 16. Braccio del pennone di velaccio fisso — main lower topgallant brace |
| 8. Amantiglio del pennone maggiore di trinchetto — fore yard lift | 17. Braccio del pennone di velaccio volante — main upper topgallant brace |
| 9. Amantiglio del pennone di parrochetto — fore topsail yard lift | 18. Braccio del pennone di controvelaccio — main royal brace |
| | 19. Braccio del pennone di decontrovelaccio — main skysail brace |

- | | |
|---|---|
| <p>20. Amantiglio del pennone maggiore di maestra — main yard lift</p> <p>21. Amantiglio del pennone di gabbia — main topmast yard lift</p> <p>22. Amantiglio del pennone di velaccio — main topgallant yard lift</p> <p>23. Amantiglio del pennone di controvelaccio — main royal yard lift</p> <p>24. Amantiglio del pennone di decontrovelaccio — main skysail yard lift</p> <p>25. Braccio del pennone di mezzana — mizzen yard brace</p> <p>26. Braccio del pennone di bassa contromezzana — mizzen lower topsail brace</p> <p>27. Braccio del pennone di contromezzana volante — mizzen upper topsail brace</p> <p>28. Braccio del pennone di belvedere basso — mizzen lower topgallant brace</p> <p>29. Braccio del pennone di belvedere volante — mizzen upper topgallant brace</p> | <p>30. Braccio del pennone di controbelvedere — mizzen royal yard brace</p> <p>31. Braccio del pennone di decontrobelvedere — mizzen skysail yard brace</p> <p>32. Amantiglio del pennone maggiore di mezzana — mizzen yard lift</p> <p>33. Amantiglio del pennone di contromezzana — mizzen topmast yard lift</p> <p>34. Amantiglio del pennone di belvedere — mizzen topgallant yard lift</p> <p>35. Amantiglio del pennone di controbelvedere — mizzen royal yard lift</p> <p>36. Amantiglio del pennone di decontrobelvedere — mizzen skysail yard lift</p> <p>37. Ostino del picco — gaff vang</p> <p>38. Amantiglio della randa — boom lift</p> <p>39. Braccio della randa — boom brace</p> |
|---|---|

- bolster — a rounded piece of wood to prevent chafing of rigging.
- boom — the spar at the foot of a fore-and-aft sail.
- braces — ropes used to swing the yards and control their position.
- breeching — a heavy rope to take the recoil of carriage guns.
- bridge mast — sometimes called *pair masts*; similar to kingposts but with heads connected by a truss or bridge-like structure.
- bulkhead — any vertical partition separating compartments.
- bulwark — a closed or solid rail along the ship's side.
- bumpkin — a strut projecting from the hull to take certain running rigging.
- cap — a block that joins the end of one spar to another—as in *mastcap* or *bowsprit cap*.
- caprail — a flat covering piece on the top of a rail or bulwark.
- capstan — an upright wood or metal cylinder mounted on deck that was used to haul the anchor or to get a strong pull on a line.
- carrick bits — the upright timbers to which is fastened the wooden barrel windlass.
- cathead — a timber projecting over each bow; see also *fish tackle*.
- cavil (cavel) — a long wooden cleat for belaying larger lines.
- chainplate — chain or an iron rod to secure the lower deadeye to the hull.
- chain pipe — vertical pipes abaft the windlass leading to the chain locker; also called *naval pipes*.
- channel — a wooden platform projecting from the hull over which the chainplates lie; originally *chain wales*.
- charlie noble — the galley smoke pipe or chimney.
- chock — a fairlead fitting in a bulwark or rail for passage of a hawser—circular ones are *mooring pipes*; also a support to hold a boat or other stowed gear off the deck.
- cleat — a fitting with two horns on which a rope is belayed.
- clew — the lower corners of a square sail and the lower after corner of a fore-and-aft sail.
- coaming — vertical construction similar to bulwarks around deck openings such as hatches and cockpits.
- companionway — the stairways in a ship.
- counter — the overhang of a vessel's stern.
- course — the lowest and largest square sail on a mast—*forecourse*, *main-course*, etc.
- crane — the support outside the ship's hull on which a small boat rests; also, the fitting (sometimes called a crane iron) to hold a lower topsail yard to the lower mastcap.
- crossjack (pronounced *crossjik*) — the lower yard on the mizzenmast; American shipmasters were the first to set a sail from this yard.
- crosstrees — thwartship timbers resting on the trestletrees that spread the topmast shrouds.
- cutwater — that part of the stem above the waterline.
- davit — metal or wood derricks of various construction to hoist boats, anchors, supplies, etc.

bolster

davit

deadeye — a round wood block with three holes; used to set up standing rigging, devil's claw — a fork and turnbuckle arrangement put on the anchor chain to retain the anchor in the hawse pipe at sea. dolphin striker — a spar or rod extending down from the bowsprit cap. doubling — the overlapping section of upper and lower mast between trestletrees and cap. draft — the distance in feet and inches from the surface of the water to the bottom of the keel. entrance — the forward part of the hull below the waterline. eyebrow — a small metal piece fastened above a port to keep out rain drippings; also called a *wriggle*. fairlead — a metal or wooden ring or loop that guides a rope in the required direction. fairwater — additional material built around an underwater projection from the hull to smooth the flow of water. fid — a large wooden pin in the heel of a topmast. fiferail — a rail around a mast to hold belaying pins—similar to a pinrail. figurehead — a carved image on a ship's stem. fish tackle — a three-fold purchase rigged at the cathead to raise the anchor from the water to the billboard; the rope of this purchase is the *catfall*. Flemish horse — a short footrope at the extremity of a yard. footrope — a rope hanging on the after side of a yard on which sailors stand, fore (forward) — toward or near the bow. forecastle (pronounced *fawksil*) — the raised section of the deck at the bow; also, the crew's quarters, forefoot — the point where the stem meets the keel. foremast — the mast nearest the bow. frame — a thwartship structural member of the hull (a rib), futtock band — a metal band around the mast below the bibbs to which are fastened the futtock shrouds, futtock shrouds — short iron rods from the futtock band to the ends of the crosstrees that secure the lower ends of the topmast shrouds, futtock stave — a short, leather-covered iron or wood rod lashed where the futtocks cross the shrouds as a fairlead for the running rigging; originally the futtocks were lashed to it. gaff — a spar to extend and hold the head of a fore-and-aft sail, galley — the kitchen; also, a type of Mediterranean vessel propelled by oars and sails, gallow frame (pronounced *gallis*) — a light framework above the deck on which boats and extra gear are stowed, gammoning — the fastening at the stemhead to hold down the bowsprit; originally rope, it evolved into an iron strap, gangway — the opening in the bulwarks for entering or leaving a vessel; the accommodation ladder rigged at the gangway is often so-called.

deadeye

gangway

gooseneck — a type of universal joint at the heel of a boom, gudgeon — the metal socket on the sternpost in which the rudder pintle fits and turns, gunport — an opening in the hull or bulwark through which the guns are fired, guy — a line or purchase used to steady a boom, gypsy head — a small drum with filleted flanges at each end to better handle line, halyard (halliard) — the rope or purchase used to hoist sails or yards — originally *haul yard*. hatch — the cover for an opening in the deck harness cask — a barrel used to keep meat in brine; the meat is called *salt horse*. hawse pipe — the pipe at the bow through which the anchor cable passes, hawser — a heavy rope for tying a vessel to a pier, towing, etc. hawser reel — a drum on which heavy lines and wires are wound for stowage, head — the upper side of a square sail; the upper side of a triangular fore-and-aft sail; the upper end of a mast, etc. heel — the lower end of a mast; the inboard end of a bowsprit, etc.; the tilt of a vessel due to wave or wind action, hounds — the flattened sides of a mast near the head to which are fastened the bibbs.

jackstay — the small iron rods on top of a yard to which sails are fastened; also, the fixed wire on stanchions to which an awning is lashed. jaw — as gaff or boom—wooden horns fastened to each side of the heel of a spar to hold it in line with the mast. jib — a triangular sail set on a stay ahead of the foremast. jibboom — the extension of a bowsprit—similar to a topmast on a lower mast. keel — the main fore-and-aft structural member (backbone) of a hull, to which are fastened the stem, sternpost, and frames. kingpost — a short, stout mast near the side of a cargo vessel for supporting a cargo boom. knighthead — vertical posts near the bow that support and confine the bowsprit heel. lanyard — a short, light rope—used as a lashing, for example to attach shrouds or stays, through deadeyes, to the hull. leech — the side edges of a square sail and the after edge of a fore-and-aft sail. lubber's hole — the opening in a masttop platform for shrouds and running rigging. A true sailor would *never* climb through the lubber's hole when going aloft. luff — the forward edge of a fore-and-aft sail; to head the sail directly into the wind. mainmast — the primary and largest mast on a vessel. martingale — a stay from the end of the jibboom to the tip of the dolphin striker.

gooseneck

martingale

- masthead — the section from the eyes of the rigging to the masttop.
- mast wedges — blocks shaped and tapered to fit around a mast at the deck to hold it firmly in place.
- mizzenmast — the mast next aft of the mainmast.
- monkey rail — a short pinrail near the bow on which to belay the jib and staysail downhauls.
- parrel — a rope, wood, or iron collar that secures a yard to a mast.
- peak — outboard end of a gaff or that corner of the sail attached thereto; the spaces in the ends of a hull.
- pendant — a short rope or wire to which a block is fastened.
- pitch — the angle a mast leans forward of the vertical.
- pinrail — a horizontal timber along the bulwarks with holes to receive belaying pins.
- pintle — pins or bolts on the forward edge of a rudder that fit into the gudgeon, allowing the rudder to pivot.
- plimsoll mark — a mark on the side of the hull about midship, port and starboard, to show the maximum draft allowed by law; originated by Samuel Plimsoll in the British Parliament in 1876.
- pole — the topmost section of the uppermost mast; a vessel is *pole masted* if its masts are not fitted for topmasts; a vessel is *baldheaded* if it is fitted for topmasts, but the masts are not stepped.
- poop — the raised deck at the after end of a merchant vessel—similar to the quarter deck of a naval vessel.
- port — the left side of a ship when facing forward; originally, and in some inland waters, called *larboard*; also, an opening in the side of a hull or deckhouse.
- purchase — a tackle that increases the force applied through an arrangement of pulleys.
- P/S — on a plan, a designation that the item shown is on both the port and starboard sides.
- quarter — the portion of a ship between midship and the stern, and things attached thereto, as in *quarter boat*, *quarter galley*.
- quin — a bevelled block under the breech of a gun to change its elevation; any angular chock to support and wedge casks or other round objects stowed in a ship's hold.
- rabbit line — the line where the outside of the hull material (planking or plating) meets the stem, keel, and sternpost.
- rake — the angle a mast leans aft of the vertical.
- ratline — small ropes fastened across the shrouds to form a ladder for going aloft.
- reeve — to run a rope through a hole or block; to assemble a purchase.
- ring stopper — the rope or chain holding the upper end of an anchor to the billboard.
- robband — a small piece of line to fasten the head of a sail to its yard—originally *rope bands*.
- royal mast — the section of the topgallant mast above the topgallant rigging.

masthead

royal mast

- rubbing strake — a timber on the outside of the hull at or near the sheer line to protect the hull; also called the *guard rail* or *rubbing strip*.
- run — the underwater, after part of the hull—where it *runs away* from the water.
- running rigging — ropes and blocks used to set and control the spars and sails.
- saddle — a block on the after side of a yard shaped to fit a mast.
- samson post — a short, stout timber projecting above the deck to which a derrick is rigged for hoisting cargo, or a mooring line is made fast.
- scupper — a hole in the bulwark to carry off water from the deck.
- scuttle — a small hatchway and its cover; to intentionally sink a ship by opening its seacock or cutting holes in the ship's bottom or sides.
- shank painter — the rope or chain securing the fluke of an anchor to the billboard.
- sheave (pronounced *shiv*) — a grooved wheel in a block.
- sheer — the curve of the deck from bow to stern; *take a sheer* is to suddenly change course.
- sheet — the rope fastened to the clew of a sail.
- ship — technically a three- or more masted vessel, square rigged on all masts; generally, any large vessel. (An old rhyme will help : *A vessel is something on the ocean that floats, the big ones are ships, the little ones boats.*)
- shroud — part of the standing rigging; rope or wire from a masthead to the hull sides to support the masts athwartship.
- skylight — a deck structure with openings to allow light and air into the hull or cabins, skysail — the small square sail set above a royal, sling — a rope or chain strap used to secure the center section of a yard to the mast, spanker — the fore-and-aft sail on the after mast, spar — a general term for yards, masts, booms, gaffs, and bowsprits; a piece of round timber, spencer mast — a small diameter spar immediately aft of and attached at head and heel to the lower mast; the sail set there on the mainmast is the spencer, spring stay — a horizontal stay between two mastheads, spreader — a strutlike spar similar to a crosstree. stanchion — a small vertical rod or timber to support a rail; in wooden ships, a rough log used as a pillar in the ship's hold, standing rigging — all fixed rigging, such as shrouds and stays, starboard — the right side of a vessel when facing forward, stay — a fixed rope to support a mast in a fore-and-aft direction, stem — the upright post at the bow to which the ends of the side planks are fastened.
- stern — the after end of the ship, sternpost — the vertical timber at the after end of the hull.

rubbing strake

sternpost

- steeve — the angle of the bowsprit above the horizontal, stirrup — short ropes from the jackstay of a yard to support the footropes.
- strake — one row of plating or planking that forms the skin of the hull; *garboard strake* is the row next to the keel; *bilge strake* is the row at the turn of the bilge; *sheer strake* is the row at the top of the hull side,
- tack — the lower forward corner of a fore-and-aft sail; the rope that holds down the forward clew of a square sail when *on the wind*; to change the vessel's relation to the wind, as in *we tacked to port*. tackle — a combination of rope and blocks; a purchase, taffrail — the rail around the stern of a vessel, throat — the forward upper corner of a fore-and-aft sail.
- thwart — the seat in a small boat,
- tiller — a bar to turn the rudder; also called the *helm*. timber head — that part of the wooden frames that project above the deck on which the bulwarks are built,
- toggle — a wooden pin with a short piece of rope fastened to its center; the eye in the other end of the rope is the *salamander*.
- top — a platform built on the crosstrees.
- topgallant — the mast above the topmast; the sail set from the yard *gansil*.
- topping lift — a rope or purchase to hold up and control the horizontal angle of a yard or boom, trail board — a decorative piece extending from the stemhead to the bow; also called the *headboard*.
- train tackle — the purchase to haul a gun inboard for cleaning and reloading.
- transom — the flat, upright part of a vessel's stern.
- triatric stay — a wire stay on a fore-and-aft rigged vessel leading from the topmast head to the lower masthead of the mast immediately aft.
- traveler — an iron ring, thimble, or snap that *travels* on a spar, rope, or bar.
- trestletree — fore-and-aft timbers resting on the bibbs at the masthead.
- truck — the capping piece at the top a mast; also, the wheel of a carriage gun.
- truss — the iron fittings holding a lower yard to the mast.
- tryworks — the stove rig on a whaler's deck to boil the oil out of blubber.
- tumblehome — the slope inward of a hull side from the waterline to the deck.
- rye (tie) — the part of the purchase for hoisting a yard that passes through a sheave mounted in the mast.
- vang — a purchase with a pendant leading from the peak of a gaff.
- wale — an extra heavy strake of planking that strengthens the side at certain places, such as the gunwale (pronounced *gunnel*).
- waterway — a channel next to the bulwark to lead deck water to the scuppers.
- whisker boom — a spar projecting port and starboard from the bowsprit cap to spread the jibboom stays.
- wildcat — the grooved wooden wheel on a windlass over which the anchor chain passes.

steeve

wildcat

windlass — a ratcheted winch used to hoist and weigh anchors.
woolding — bands of metal or turns of rope around a lower mast to strengthen it, as in large diameter wood masts.

yard — an athwartship spar from which a square sail is set; or a small spar from which signals are flown, a *signal yard*.
yoke — part of the fittings of a lower yard used with a truss.

windlass

yoke

SUGGESTED READING LIST

Some of these classics are out of print and may be difficult to find at your neighborhood bookstore. Try libraries, hobby shops, secondhand book-sellers—the effort will be worth it.

Campbell, George F. *China Tea Clippers*. Camden, Maine: International Marine Publishing Company, 1990. (Originally published in Great Britain by Adlard Coles Ltd., 1974.)

Chapelle, Howard I. *The History of American Sailing Ships*. New York: W. W. Norton & Company, 1935.

Chapelle, Howard I. *The Search for Speed Under Sail 1700-1855*. New York: W. W. Norton & Company, 1967.

Lees, James. *The Mastings and Rigging of English Ships of War 1624-1860*. Annapolis, Md.: Naval Institute Press, 1979.

Lever, Darcy. *The Young Sea Officer's Sheet Anchor*. New York: Edward W. Sweetman Co., 1963.

Underhill, Harold A. *Masting & Rigging the Clipper Ship & Ocean Carrier*. Glasgow: Brown, Son & Ferguson, 1988.

INDEX

- A
- Anchors, parts related to, 111
- B
- Belaying lines, 77, 104-105
 Belaying pins, 48 Bentinck
 shroud, 81 Blocks, 78-80
 deadeyes, 79
 decisions related to, 78
 hearts, 104
 premade blocks, 78-79
 securing in place, 79-80
 sheaves and, 79
 Boats, 109-111
 assembly of, 110
 plank-on-frame boat kits, 110
 stowed on davits, 111
 supplied with kits, 9, 109
 Bobstays, 92 Bolsters, 70
 Booms and gaffs, 59, 75-77
 boom rest, 75
 boom rigging, 92
 jaws, 75-76
 Bowsprits, 63-65
 bowsprit rigging, 92
 Braces, 91
- Bulkhead-on-keel hulls
 checking symmetry of bulkhead frames,
 22-23
 false decks, 24-26
 frame and keel alignment, 24
 frames with bulkhead extensions, 26-28
 keel assembly, 24
 precut reinforcing pieces, 28-30
 Bulkheads, 18
 See also Frames
 Bulwark extensions, 40
 frames with, 26-28
 Bulwarks
 building of, 40
 inboard planking, 42-43
- C
- Caps of
 cans/bottles, unscrewing stuck
 caps, 113
 Chainplates, 52-54
 Channels, 51-54 Cheeks,
 67-68 Cost of kits, 2-3
 Crosstrees, 68, 70, 72-73
- D
- Davits, 111 Deadeye
 gauge, 100

Deadeyes, 51-53, 79

Deck

- deckhouses, 49
 - false deck, 38-40
 - gun installation, 45-47
 - pin racks/pin rails, 47-48
 - planking of, 41-43
 - railings and stanchions, 50-51
- Display base, setting hull on, 56-57

F

False decks, 24-26

- installation of, 38-40

Fife rails, 47 Finishing model

- anchors, 111
- boats, 109-111
- flags, 113-114
- paints, 112-113
- varnishes, 112

Fittings, in kits, 7

Flags, 113-114

Footropes, 86

Foremast, 62

Frames, 18-19

- aligning with false deck, 24-26
- aligning with keel, 24
- with bulwark extensions, 26-28
- fairing frames, 35

Futtock shrouds, 80-81

G

Gaffs, 59

- gaff rigging, 92
- See also* Booms and gaffs

Gammon lashing, 92 Glue, 12,

26 Gunports, 30-32

- cutting gunports, 30-31
- precast frames, 31

steps in assembly, 31-32

Guns

- installation on covered decks, 47
- installation on open decks, 45-47
- rigging, 45-47 sled-type carriage, 47

H

Halyards, 91, 105

- peak halyard, 92
- throat halyard, 92

Hearts, 104 Hull and

hull building

- bulkhead-on-keel hulls, assembly of, 22-30

chainplates, 52-54

channels and deadeyes, 51-54

gunports, 30-32

planking, 32-45

sequence for, 20-22

setting on display base, 56-57

types of, 6

waterline, marking, 54-56

I

Inboard planking of bulwarks, 42-43

Instructions of kit, 5-6

J

Jackstays, 86

Jaws, 75-76

Jeers, 90

K

Keel, 18

aligning frames to, 24

assembly of, 20, 24

Keel holder, 26

Kit components

- boats, 9
- fittings, 7
- hull, 6
- instructions, 5-6
- plans of, 5
- rigging lines, 9-10
- wooden parts, 6-7

Kits

- ability level and, 1-2
- cost of, 2-3
- mail order, 5
- scale, 3-4
- selection of, 1

L

Lifts, 90-91

Lighting, in work area, 16

Line, terms related to, 77

Lower mast, 66-67 Lower
shrouds, 81-82, 106

M

Mainmast, 62

Martingale stays, 92

Mastcaps, 71-72

Mastini Booster, in work area, 15

Masts, 59

- boom and gaff, 75-77
- bowsprits, 63-65
- cheeks, 67-68
- crosstrees, 72-73
- dowels for, 65
- foremast, 62
- futtock shrouds, 80-81
- halyards, 105
- lower mast, 66-67
- lower shrouds, 81-82, 106
- mainmast, 62
- mastcaps, 71-72

masttop planking, 70-71

masttops, 68, 70

mizzen, 62

ratlines, 83-84

royal mast, 63

sail sheets, 106-107

skysail, 63

spencer mast, 76-77

stepping the bowsprit, 99

stepping the masts, 96-100

tapering masts, 65-66

topgallant, 63

topgallant shrouds, 83

topmast, 63

topmast shrouds, 82-83

yard braces, 106

yard lifts, 105

yards, 73-74

Masttops, 68, 70

masttop planking, 70-71

Mizzen, 62

P

Paints, 112-113

Parrels, 88

Peak halyard, 92

Pendants, 91

Pin racks/pin rails, 47-48

Planking deck, 41-43

authenticity, touches for, 42

cutting deck planks, 41

Planking hull, 32-38

finishing planking, 43-45

first layer, 33, 36-38

preparation stage, 32-33

scale and, 33

second layer, 33, 43-45

soaking planks, 36

tapering and filling, 35, 36, 44

Planking masttop, 70-71

Plank-on-frame hull, 6
 Plans of kit, 5
 Power table, in work area, 15
 Purchase, 90

R

Railings and stanchions, 50-51
 Ratlines, 59, 83-84 Reef points,
 96 Reeving line, 77
 Reinforcing pieces, precut type, 28-30
 Rigging
 attaching to hull, 100-102
 belaying lines, 104-105
 best type of line for, 10
 blocks, 78-80
 boom rigging, 92
 bowsprit rigging, 92
 gaff rigging, 92
 guns, 45-47
 hearts, 104
 illustration of fully rigged ship, 61
 running rigging, 59-60, 78
 sequence for, 78
 standing rigging, 59, 78
 stays, 102-104
 steps in, 62
 terms related to rope, 77-78
 yard accessories, 84-91
 Rope ladders, 59 Royal mast,
 63 Running rigging, 59-60,
 78

S

Sails, 93-96
 effects needed on, 94-96
 furled sails, 96
 reef points, 96
 types of, 94 Sail
 sheets, 106-107

Scale of model, 3-4
 common scales used, 4
 metric vs. inches, 4
 planking and, 33
 Seizing line, 77
 Serving line, 78
 Sheaves, 86 and
 blocks, 79
 Shelves, in work area, 17
 Skysail, 63
 Slings, 90
 Slop sink, in work area, 17
 Small stuff, 77
 Soaking planks, 36
 Solid hull, 6
 Spars, 59
 Spencer mast, 76-77
 Sprits, 59
 Stanchions, 48, 50-51
 Standing rigging, 59, 78
 Stays, 102-104
 Stem (bow), 18
 Stepping the bowsprit, 99
 Stepping the masts, 96-100
 jig for, 98-99
 Stern, 18
 Stunsail booms, 90

T

Throat halyard, 92
 Tools, 10-14
 basic tools, 10-12 expert
 tools, 13-14 intermediate
 tools, 12-13 practical
 tips about, 13
 Topgallant, 63
 Topgallant shrouds, 83
 Topmast, 63
 Topmast shrouds, 82-83
 Topping lift, 92

Trestletrees, 68, 70, 82
Trusses, 88-90

U Utility

tables, in work area, 15-16

V

Vangs, 92
Varnishes, to finish model, 112

W

Waterline marking, 54-56
 determining position, 56
 marking jig, 54
Wooden parts
 in kits, 6-7
 precut parts, 6-7
Woolding of lower mast, 67
Workbench, 14-15
Workplace, 14-17
 lighting, 16
 Mastini Booster, 15
 power table, 15
 shelves, 17
 slop sink, 17

utility tables, 15-16
ventilation, 16-17
workbench, 14-15

Y

Yard accessories
 braces, 60, 91, 106
 footropes, 86
 halyards, 91
 jackstays, 86
 jeers, 90
 lifts, 90-91, 105
 parrels, 88
 pendants, 91
 sheaves, 86
 slings, 90
 stunsail booms, 90
 trusses, 88-90
 yard bands, 84, 86
 yokes, 86, 88
Yards, 59, 73-74
 dowels for, 74
 tapering yards, 74
Yokes, 88